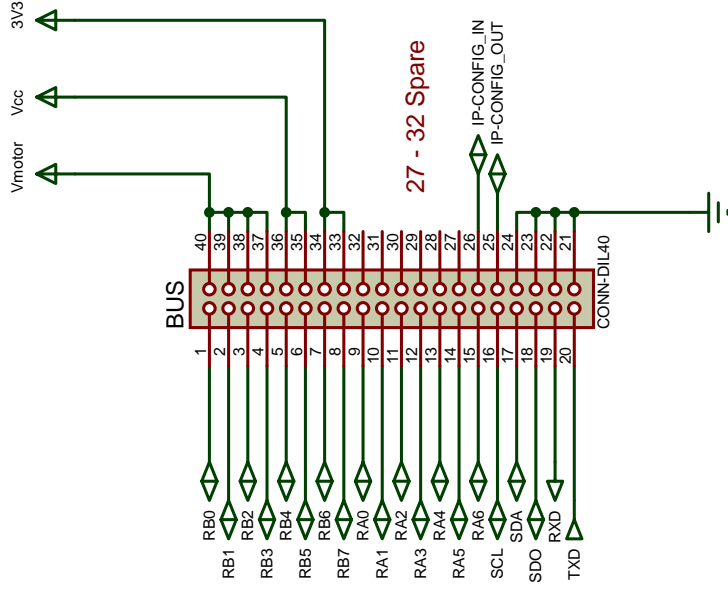


Robux Project: BUS

The data bus for the Robux Projects modules has been designed to allow the interconnections of modules through a stackable 40 way connector. The connector is similar to those used on PC104 boards, and this where the idea has come from. The Farnell part number for the chosen connector is 359907.

Connections brought out to the bus from the host module boards include the following:

Signal	Pin	I/O	Comments
8 Bit bus	1-8	I/O	8 Bit data bus
6 Bit bus	9-15	I/O	6 Bit data bus
SCL	16		
SDA	17		
SDO	18		
RS232 RX	19	Input	This pin is at TTL level
RS232 TX	20	Output	This pin is at TTL level
GND	21-24		
IP_CONFIG_OUT	25	Output	
IP_CONFIG_IN	26	Input	
Spare lines	27-32		Spare pins
3V3	33-34		3.3 Volt DC supply @ 1 Amp
Vcc	35-36		5 Volt DC supply @ 5 Amps
Vmotor	37-40		Supply voltage from motors, can be 10 ~ 26 Volts



Title: BUS_REV-0a

Robux Project

Date: 23/10/05

Copyright

Designed By: A R Martin

Company: AI's Robotics