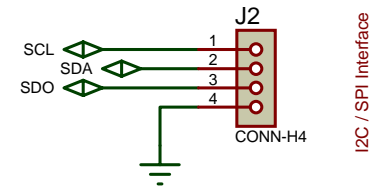
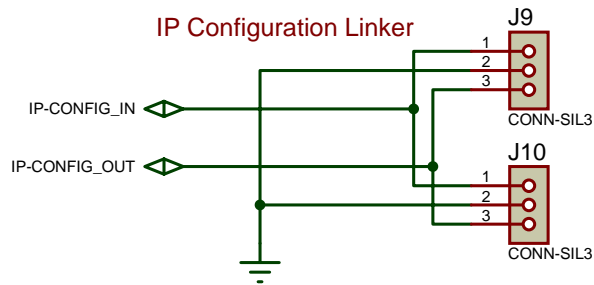
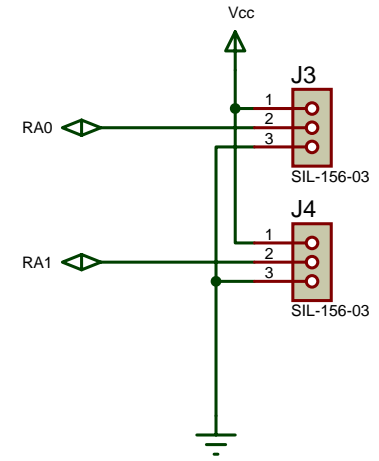
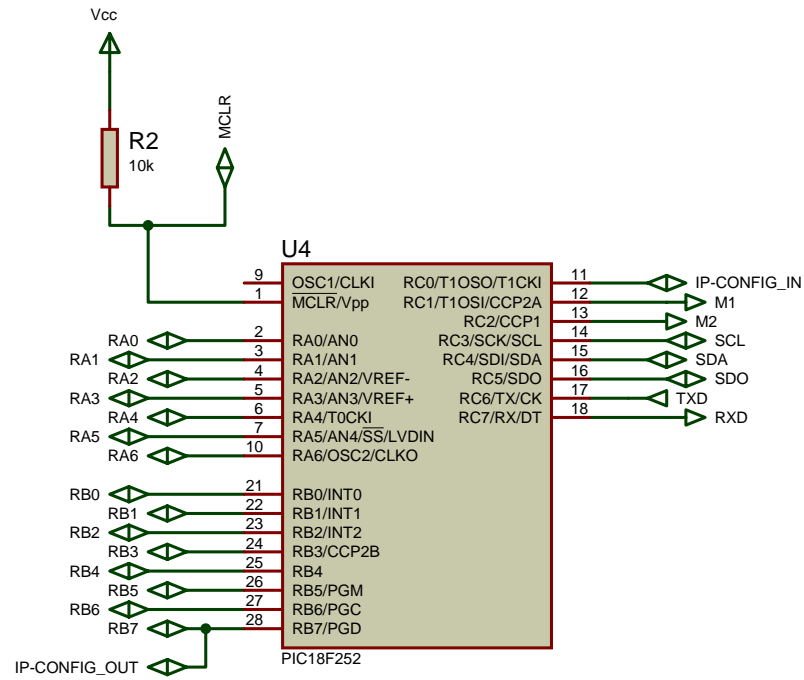
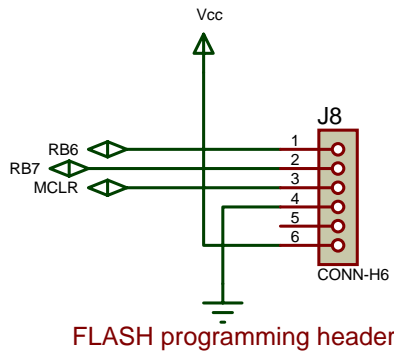
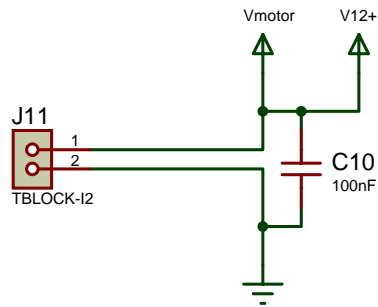
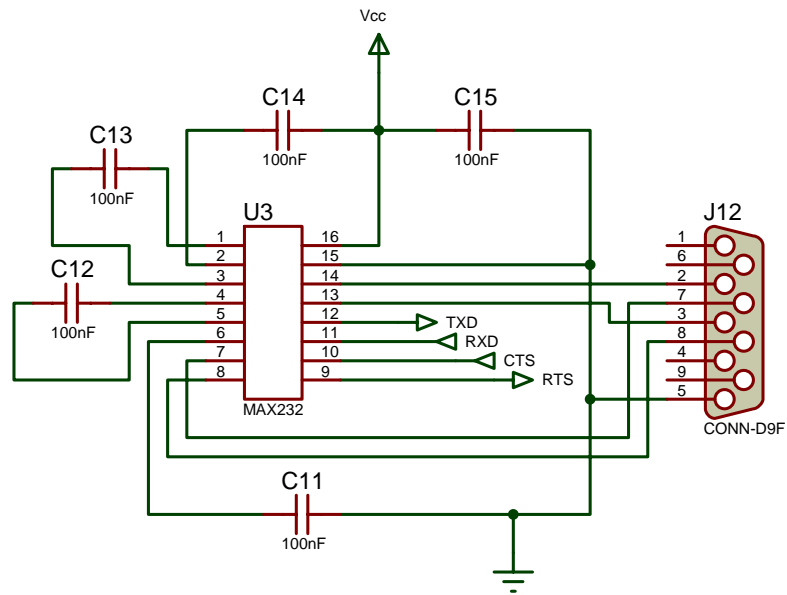


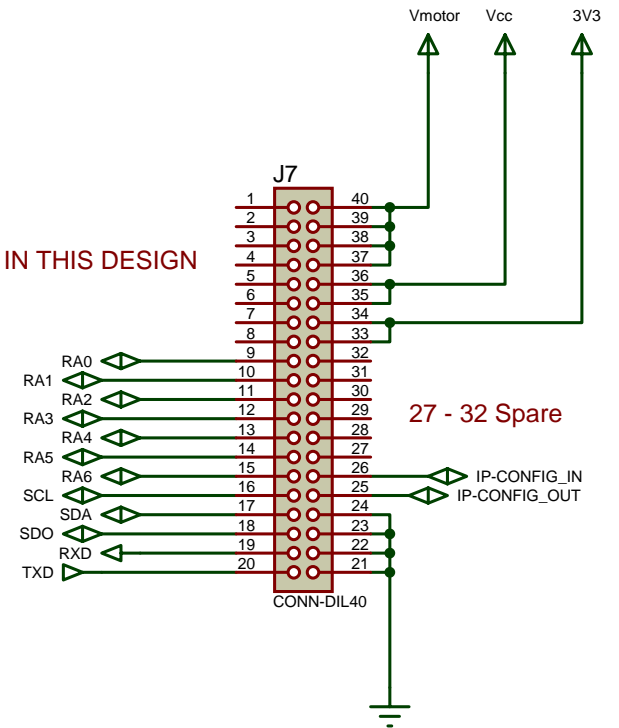
Title: Speed controller Robux Project	Date: 23/10/05 Copyright	Designed By: A R Martin Company: AI's Robotics
---	-----------------------------	---



<p>Title: Speed controller Robux Project</p>	<p>Date: 23/10/05 Copyright</p>	<p>Designed By: A R Martin Company: AI's Robotics</p>
---	-------------------------------------	---



1 - 8 NOT USED IN THIS DESIGN



Title: Speed controller Robux Project	Date: 23/10/05 Copyright	Designed By: A R Martin Company: AI's Robotics
---	-----------------------------	---